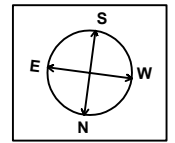


NATPaVeD PLAN

LEGEND

| | |
|--|---|
| | CEMENT CONCRETE |
| | GATE 1 AND 4 (6 m WIDE) GATE 2 (1.5 m WIDE) GATE 3 (8 m WIDE) |
| | TEST TRACK |
| | LAMP POST (6 nos.) |



SCALE- 1:400

Draft of NATPaVeD Masterplan

TYPE B Road (22.5 m wide)

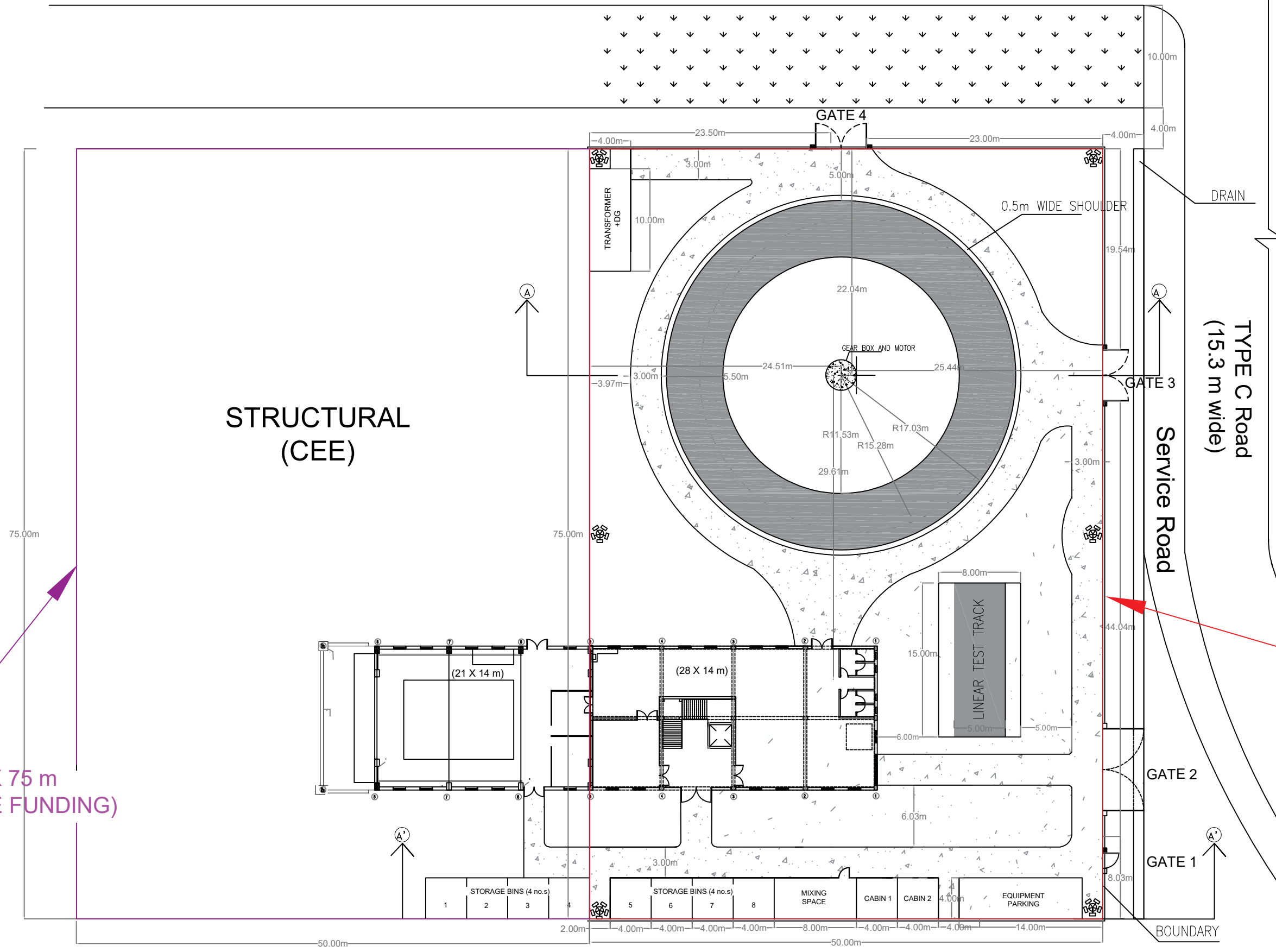
STRUCTURAL
(CEE)

TYPE C Road
(15.3 m wide)

Service Road

(50 X 75 m
MORTH FUNDING)

(50 X 75 m
INSTITUTE FUNDING)



BOUNDARY

GATE 1

GATE 2

GATE 3

GATE 4

TRANSFORMER
+DG

GEAR BOX AND MOTOR

LINEAR TEST TRACK

STORAGE BINS (4 no.s)

STORAGE BINS (4 no.s)

MIXING SPACE

CABIN 1

CABIN 2

EQUIPMENT PARKING

DRAIN

0.5m WIDE SHOULDER

75.00m

75.00m

3.00m

44.04m

8.03m

8.03m

50.00m

50.00m

23.50m

23.00m

10.00m

4.00m

4.00m

19.54m

3.00m

3.00m

6.00m

6.03m

3.00m

4.00m

14.00m

4.00m

3.00m

3.00m

10.00m

3.00m

5.50m

3.00m

3.97m

3.00m

5.50m

24.51m

22.04m

25.44m

29.61m

R11.53m

R15.28m

R17.03m

8.00m

15.00m

6.00m

5.00m

5.00m

6.03m

3.00m

2.00m

4.00m

4.00m

4.00m

4.00m

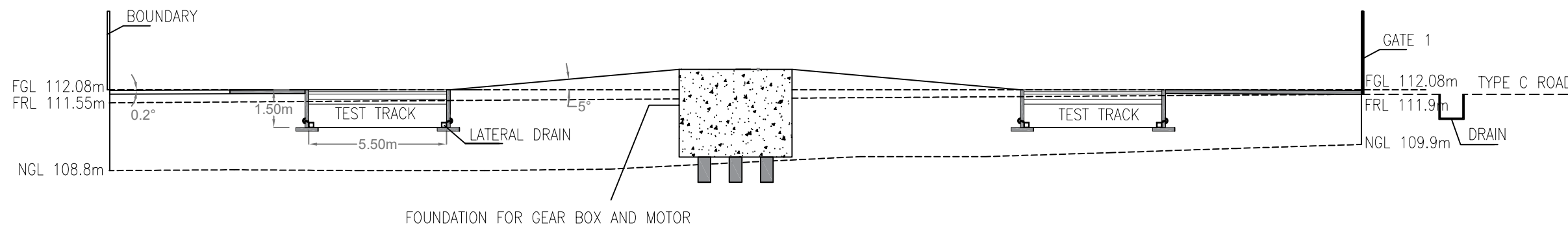
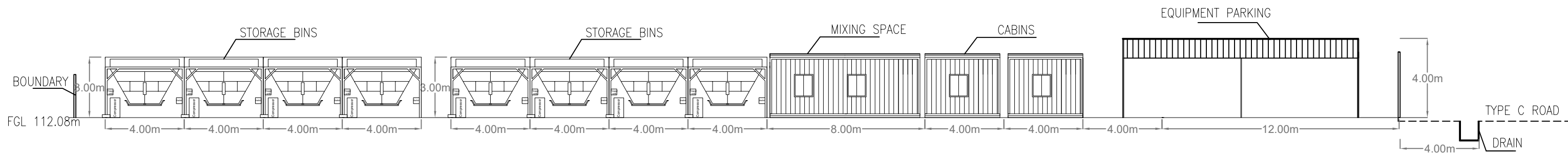
8.00m

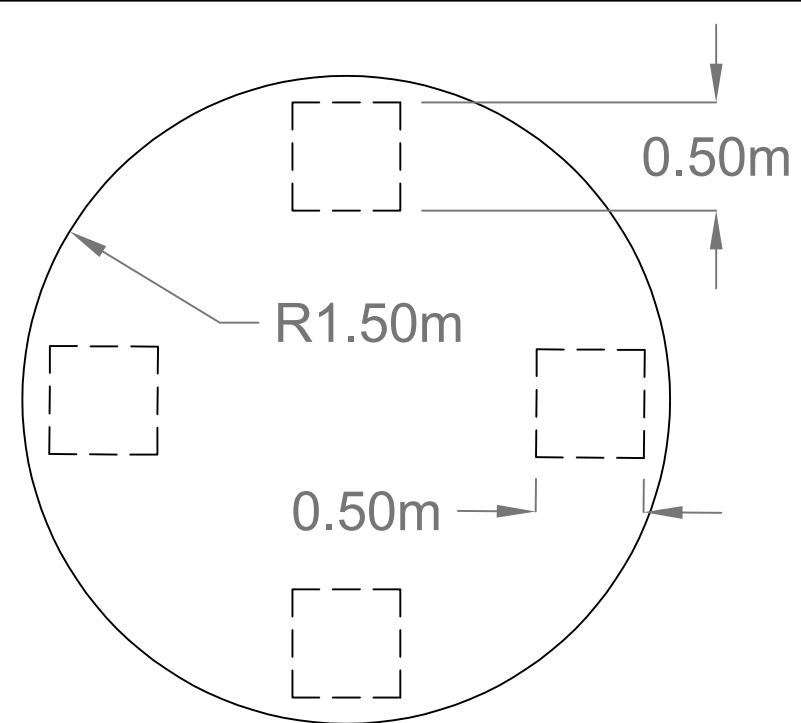
4.00m

4.00m

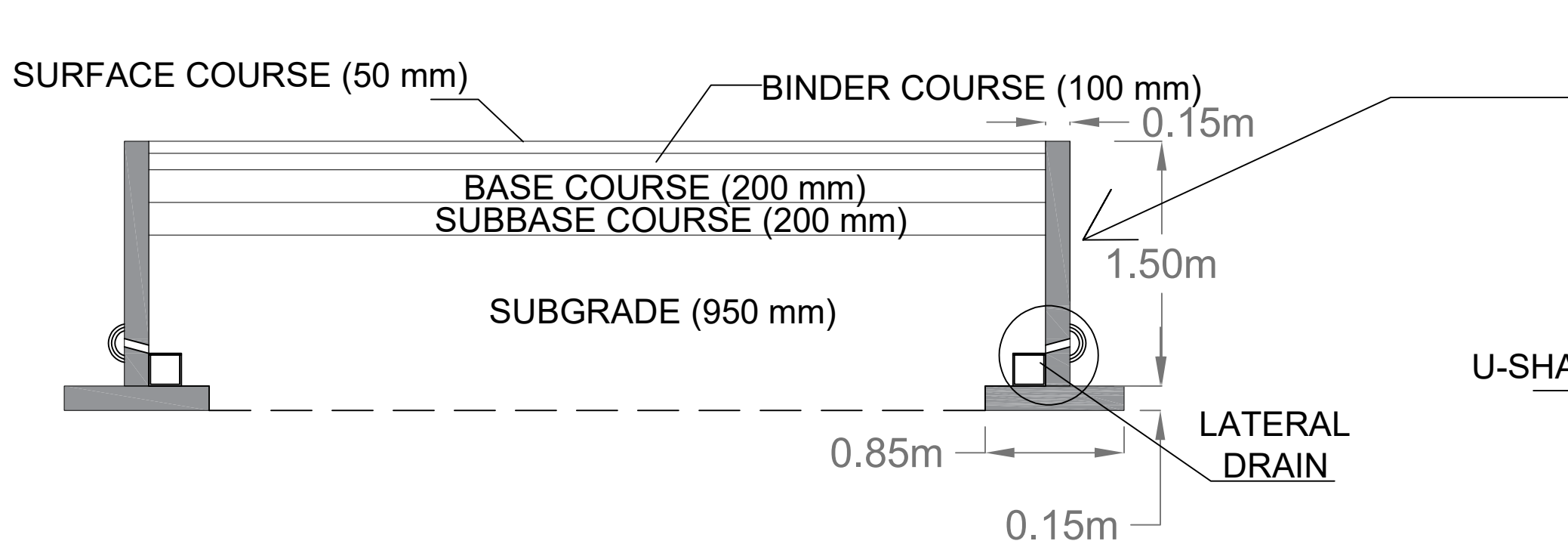
4.00m

14.00m

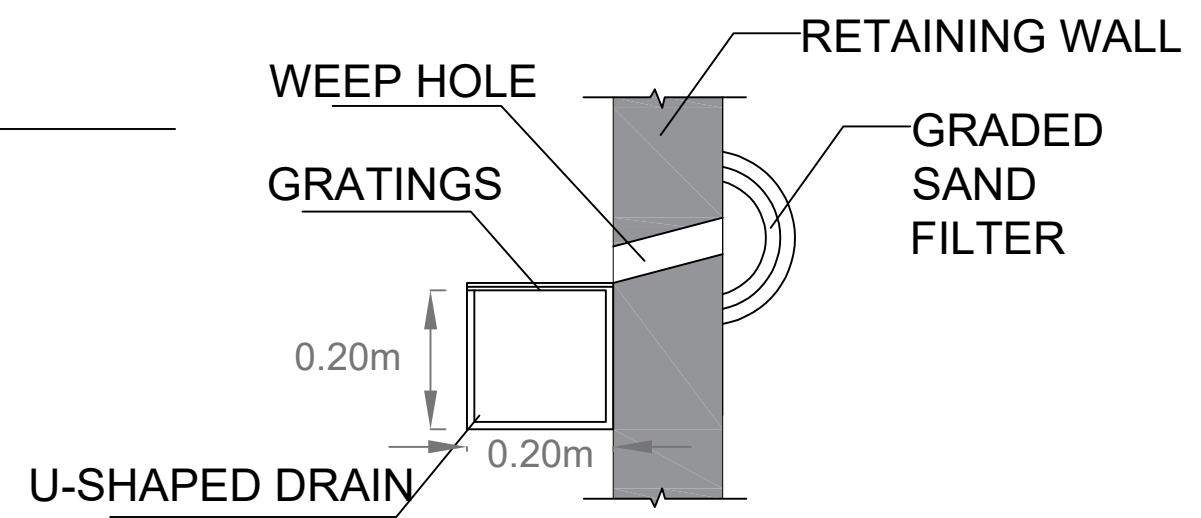




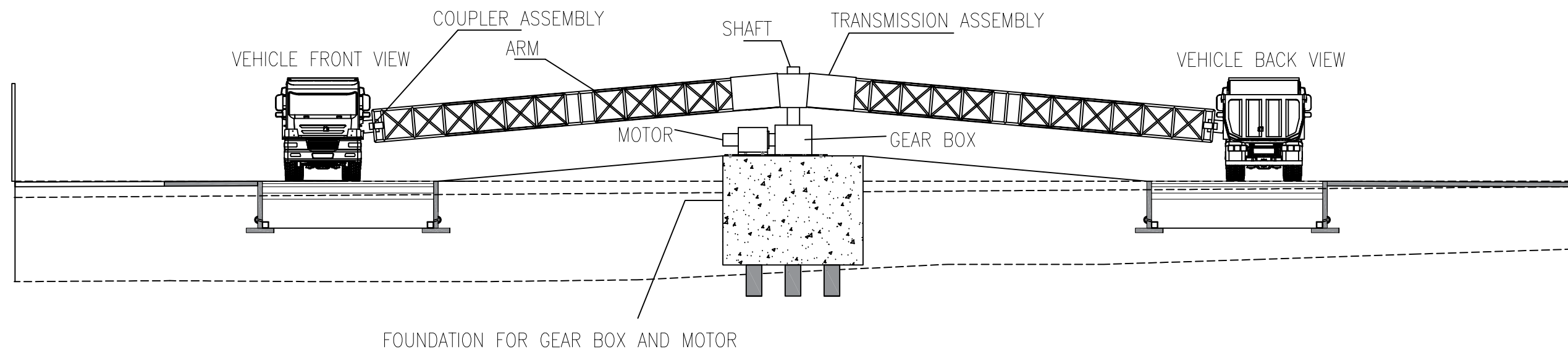
PLAN OF GEAR BOX AND MOTOR FOUNDATION



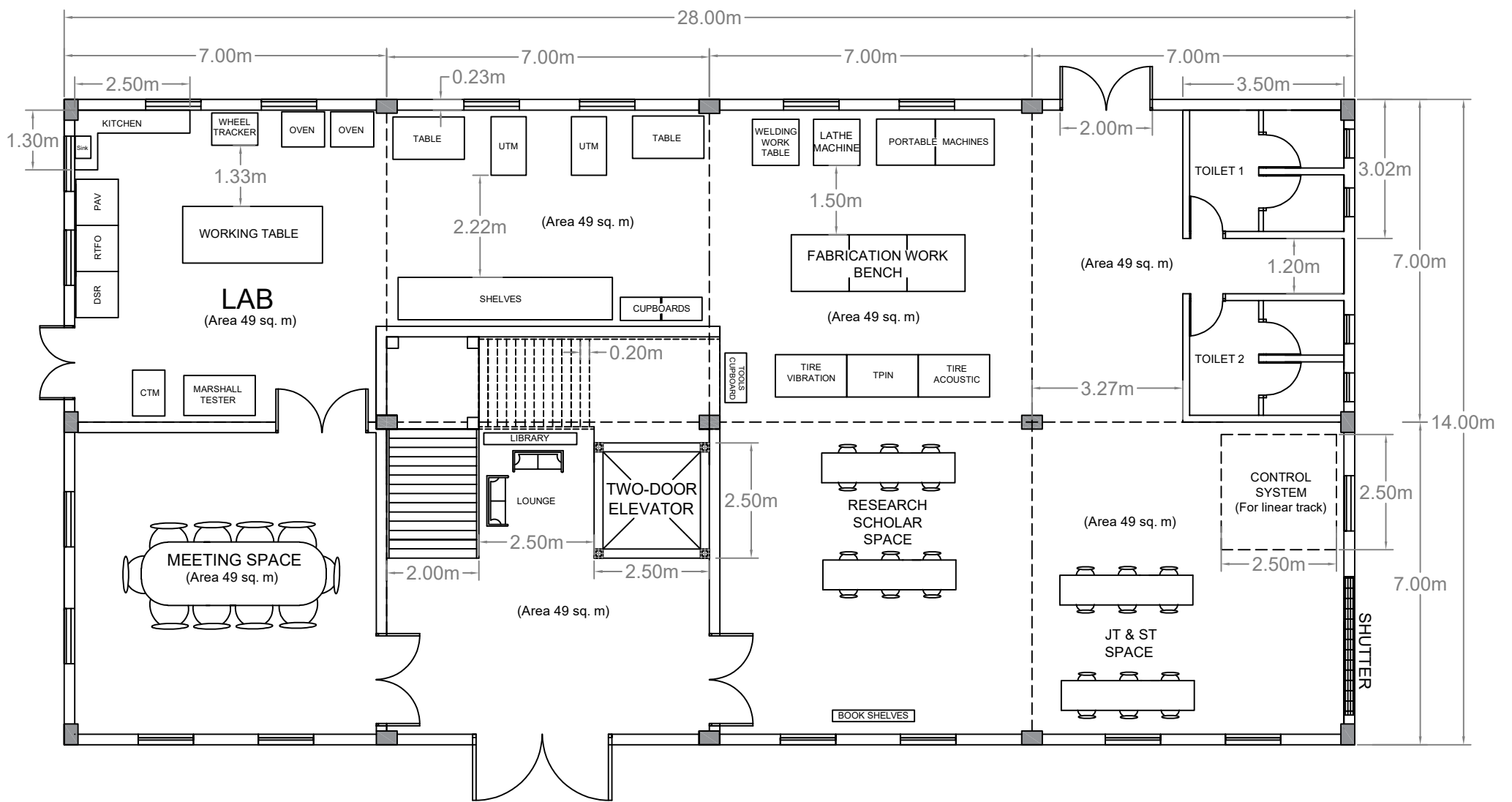
DETAILS OF RETAINING WALL AND TEST TRACK



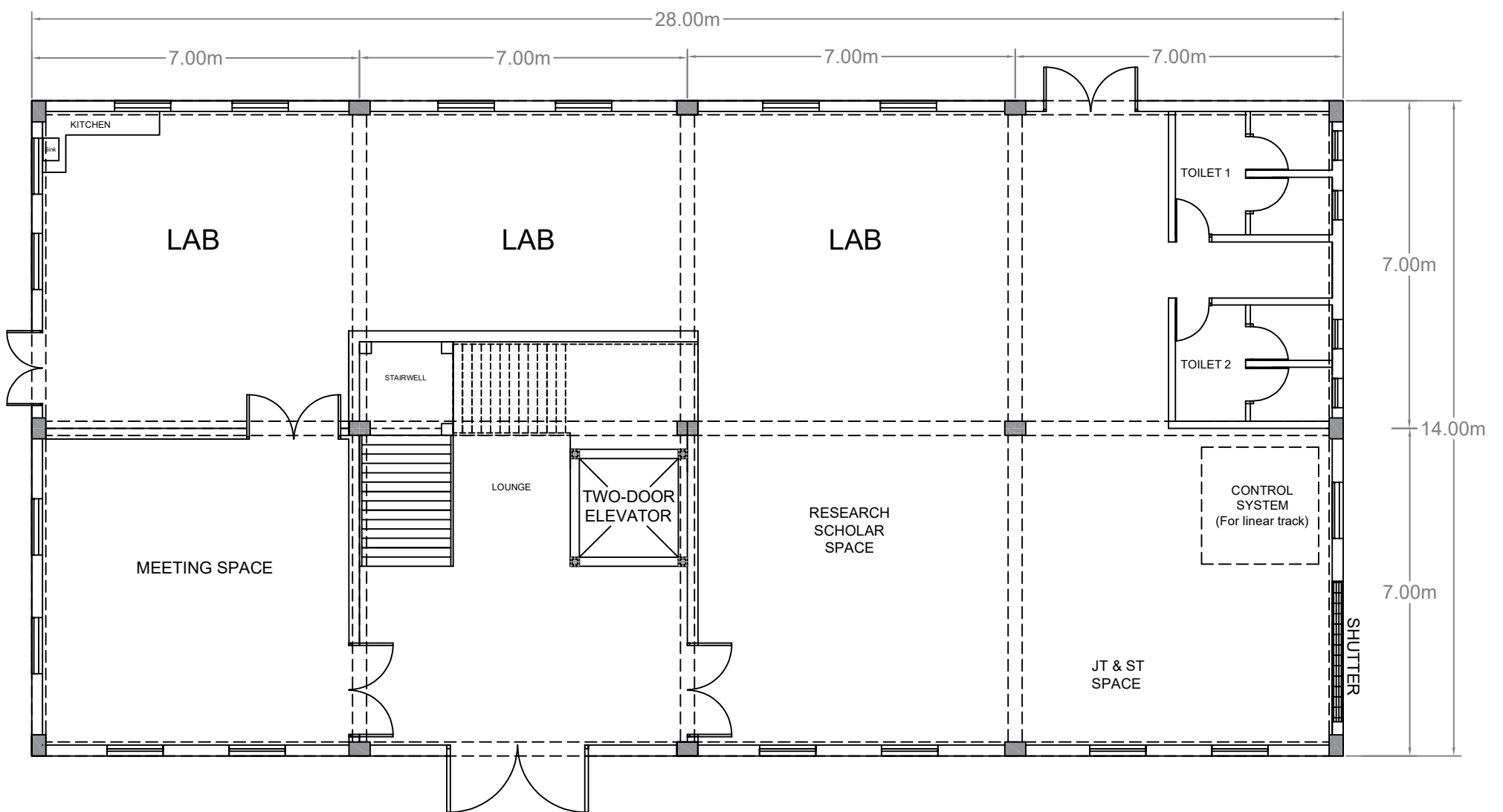
DETAILS OF LATERAL DRAIN



VEHICLE AND TRANSMISSION ASSEMBLY DETAILS





GROUND FLOOR PLAN

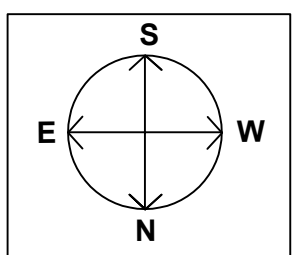


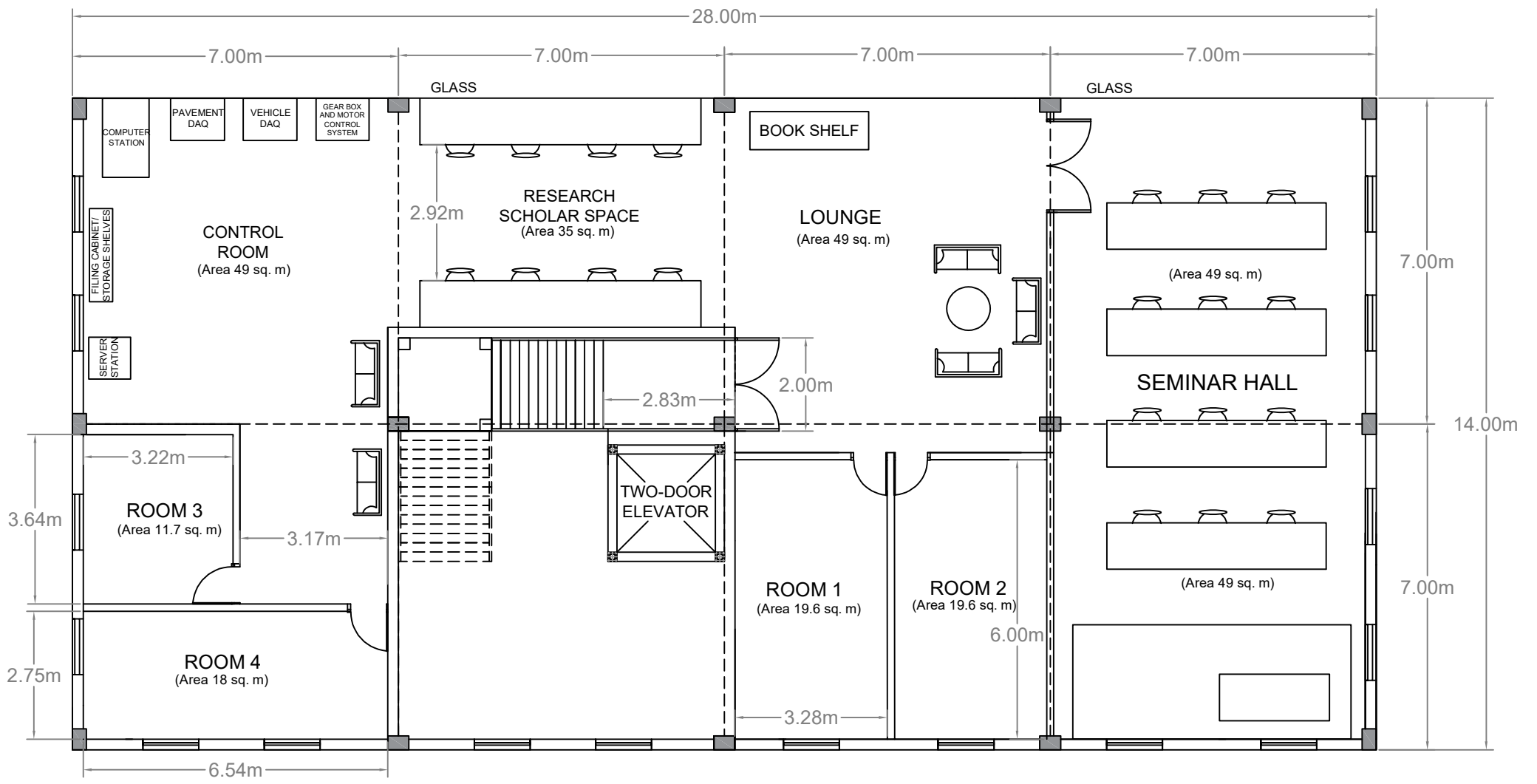
GROUND FLOOR PLAN
(General Structural Arrangement)

LEGEND

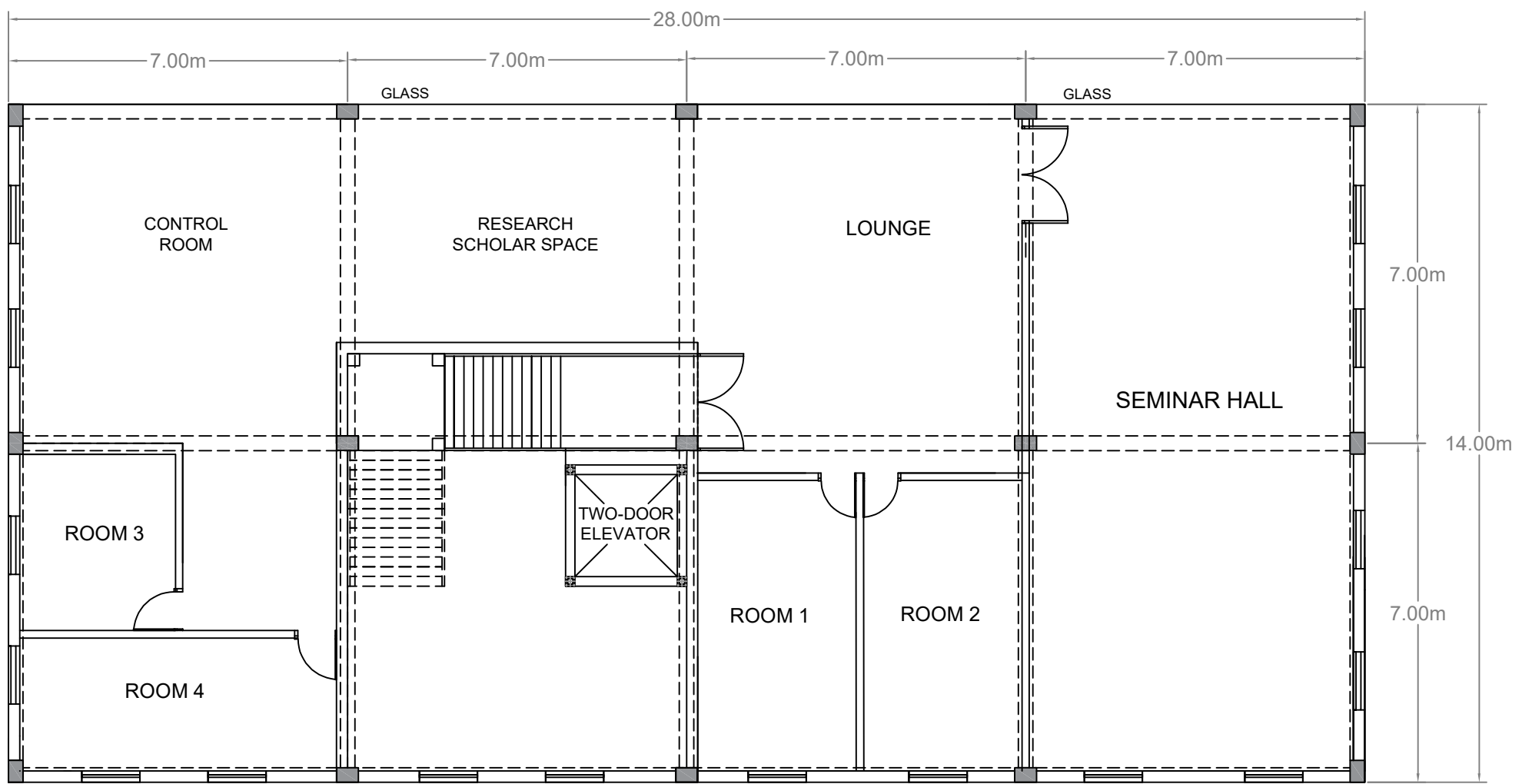
| | |
|---|--------------------------------------|
|  | RC COLUMN (0.45 X 0.30 m) |
|  | COLUMN 0.3 X 0.3 m (LANDING SUPPORT) |

SCALE 1:120







FIRST FLOOR PLAN

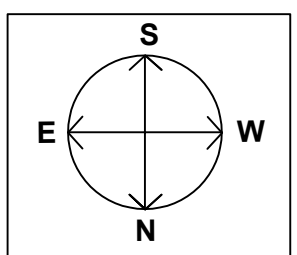


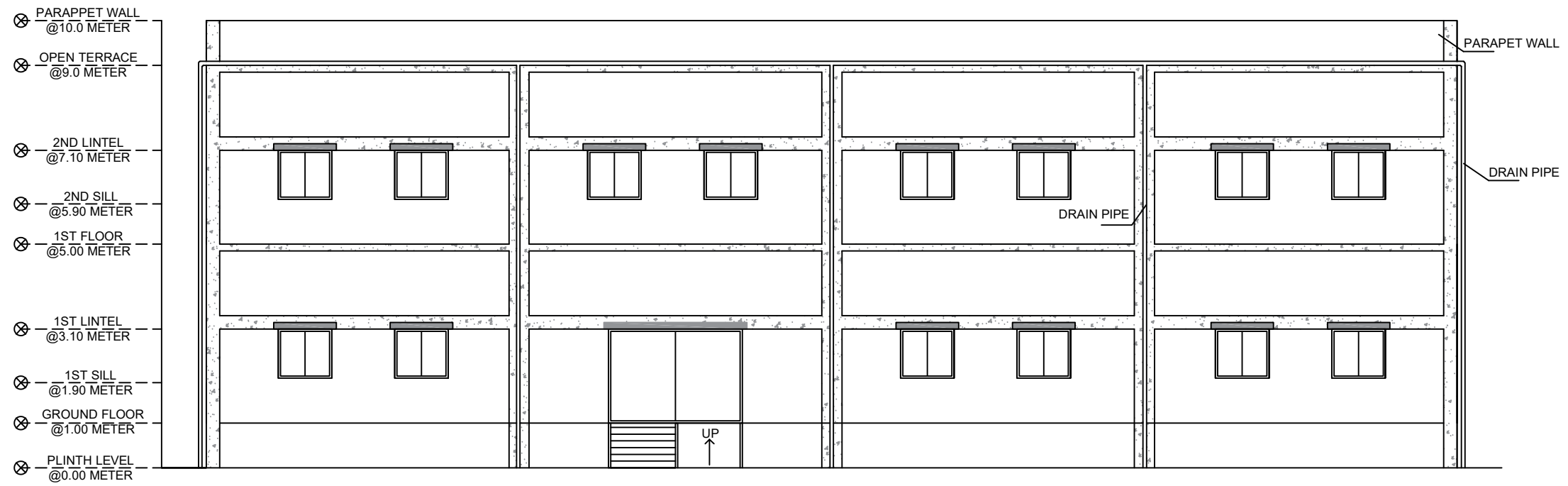
FIRST FLOOR PLAN
(General Structural Arrangement)

LEGEND

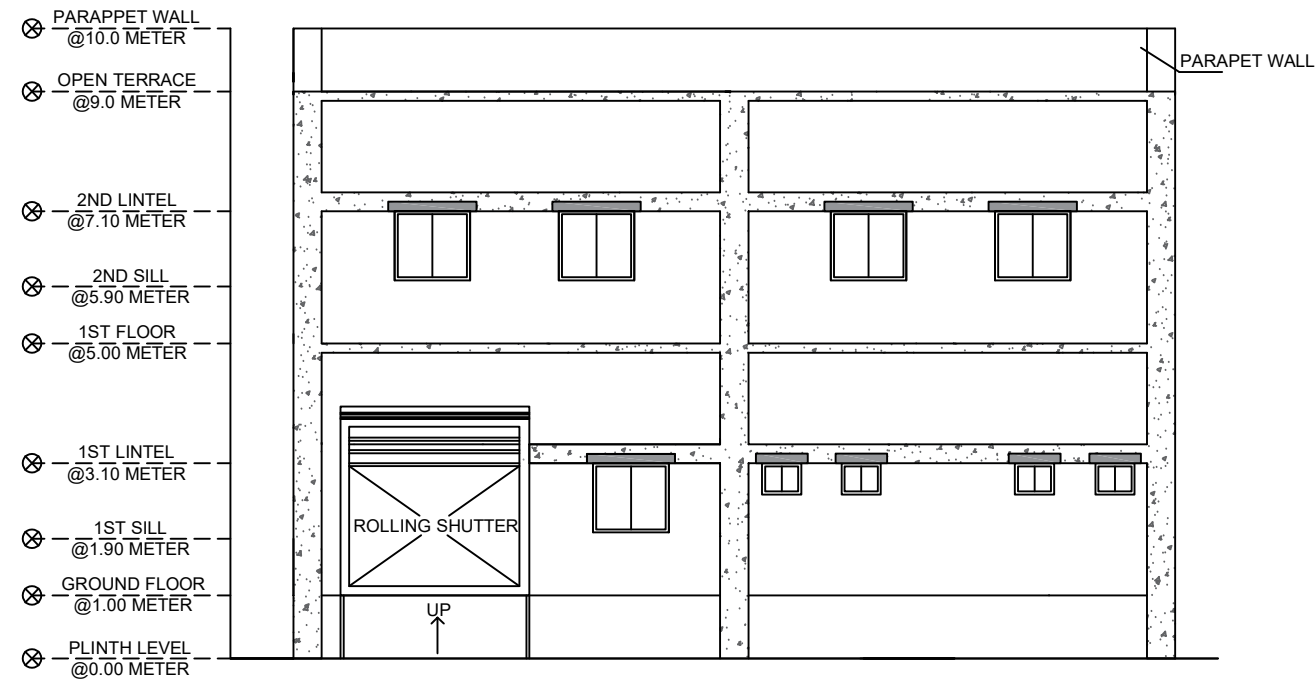
| | |
|---|--------------------------------------|
|  | RC COLUMN (0.45 X 0.30 m) |
|  | COLUMN 0.3 X 0.3 m (LANDING SUPPORT) |

SCALE 1:120





FRONT ELEVATION



SIDE ELEVATION